



RO Tanks

Maintenance-free RO water storage tanks

Features

- Patented stainless-steel water connection
- High-grade butyl diaphragm
- Virgin polypropylene liner
- Smooth internal construction prevents diaphragm abrasion damage
- Leak-free O-ring sealed air valve cap
- Dual layer polyurethane paint finish
- Comprehensive testing
- Maintenance-free



Certifications may vary by model. Check with your GWS sales representative for more detailed information.

GWS premium reverse osmosis tanks are the industry leaders when it comes to purified water storage. Constructed from the finest FDA compliant materials available, the tanks incorporate a water storage chamber assembled with a virgin polypropylene liner, high-grade butyl diaphragm and patented stainless steel water connection. Every diaphragm is post-cured to remove any elements that can impart odor and taste. This ensures zero secondary contamination and maintains the pure, clean water from the RO system.

GWS premium reverse osmosis (RO) tanks are high quality storage tanks for RO treated water and are suitable for domestic and/or light commercial applications.

Constructed of deep drawn steel domes, our RO tanks provide an unparalleled reliability in the reverse osmosis industry. Featuring brass air valve and O-ring sealed air cap, it will provide many years of service. The tanks are finished with a dual layer polyurethane paint finish.

The RO tanks are constructed of the finest materials available which ensures the tank does not taint the water in any way.

As with all GWS products, our RO tanks are quality-tested throughout the production process to ensure their structural integrity.

Models

Model Number	Connection	Nominal Volume		Dimensions (mm)			Gross Weight [kg]
		Liters	Gallons	A	B	C	
Carbon Steel							
RO-105*	1/4" NPT	2	0.5	192	126	-	9.6
TP-4	1/4" NPT	4	1.1	245	162	-	1.5
RO-120	1/4" NPT	8	2.1	297	202	-	2.2
RO-122	1/4" NPT	12	3.2	349	230	-	2.7
RO-132	1/4" NPT	18	4.8	351	279	-	3.5
RO-152	1/4" NPT	21	5.5	390	290	-	3.9
TP-35	1/4" NPT	35	9.2	478	318	-	7.1
RO-1070**	1" BSPP	60	15.9	575	389	36	11.5
RO-2000***	1" BSPP	80	21.1	771	389	36	14.4
TP-100	1" BSPP	100	26.4	804	430	59	19.5
TP-150	1" BSPP	150	39.6	938	530	59	34.6
Plasteel™							
TP-12P	1/4" NPT	12	3.2	382	242	-	3.4
TP-16P	1/4" NPT	16	4.2	390	251	-	3.8
TP-19P	1/4" NPT	19	5.0	400	276	-	4.2
Stainless Steel							
S-800	1/4" NPT	8	2.1	297	202	-	5.0
S-1800	1/4" NPT	18	4.8	347	279	-	8.8

* RO-105: 12 pcs/box.

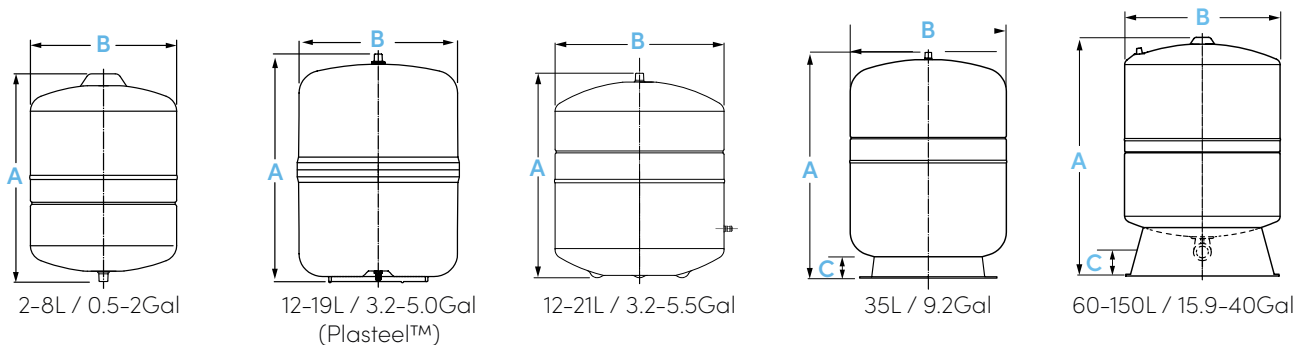
** Also available in 1/4" NPT and 3/4" NPT connection for RO-1070, different dimensions.

*** Also available in 3/4" NPT connection for RO-2000, different dimensions.

Note: Minor dimensional variation may occur.

Specifications

Product Series Name	RO Tanks
Nominal Volumes	2 - 150 L / 0.5 - 40 gal
Max. Operating Temperature	50°C / 122°F
Max. Operating Pressure	7 bar 100 psi
Factory Pre-Charge Pressure	0.3 - 0.5 bar 5 - 8 psi





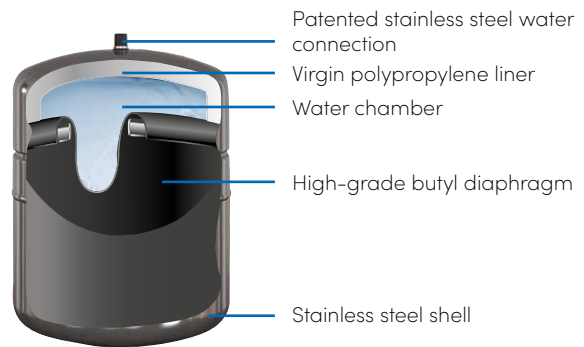
RO Tanks

Maintenance-free RO water storage tanks

Carbon steel tanks



Stainless steel tanks



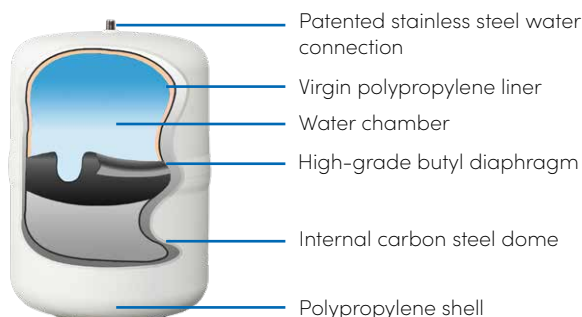
Revolutionary Product – Plasteel™ Tanks



Plasteel™ RO tanks are constructed with a high-grade steel tank encased in a rugged polypropylene shell.

The patented Plasteel shell creates an impenetrable layer of protection that shields the internal steel tank from dents and scratches and eliminates the risk of external corrosion. The internal steel tank offers greater pressure resistance than other plastic tanks found in the market. The lower molecular porosity of steel also eliminates air pressure loss.

Patented Designs & High-Grade Materials



Where Water Gets Better

Maintenance Free



PA-E™ & TankPAC™ reverse osmosis tanks are built with sealed brass air valves and O-ring sealed air valve caps to ensure leak-free air chambers. This means no more checking air precharge and makes the full range of reverse osmosis tanks maintenance-free.

With regards to structural integrity, deep-drawn steel domes and precision weld seams give PA-E & TankPAC reverse osmosis tanks unparalleled reliability.

PA-E & TankPAC reverse osmosis tanks are quality tested at multiple stages in the production process to ensure the structural integrity of every tank.

Maintenance Free RO Storage Tanks Accessories

Ball Valves

PA-E brand ball valves available upon request in markets where sold.

*1" BSPP supplied with 3/4" ball valve & extension pipe, 16 & 21 gal also available in 3/4" NPT



1/4" ball valve
(2-35 L | 0.5-9.2 Gal)



3/8" ball valve with 1" connection tube
(60-150 L | 15.9 - 39.6 Gal)

Dual-use X Plastic Base

The dual-use X plastic base not only protects the connection during transport but also ensures that the tank is protected from wear during use.



Protects the connection during transport



Protected from wear during use